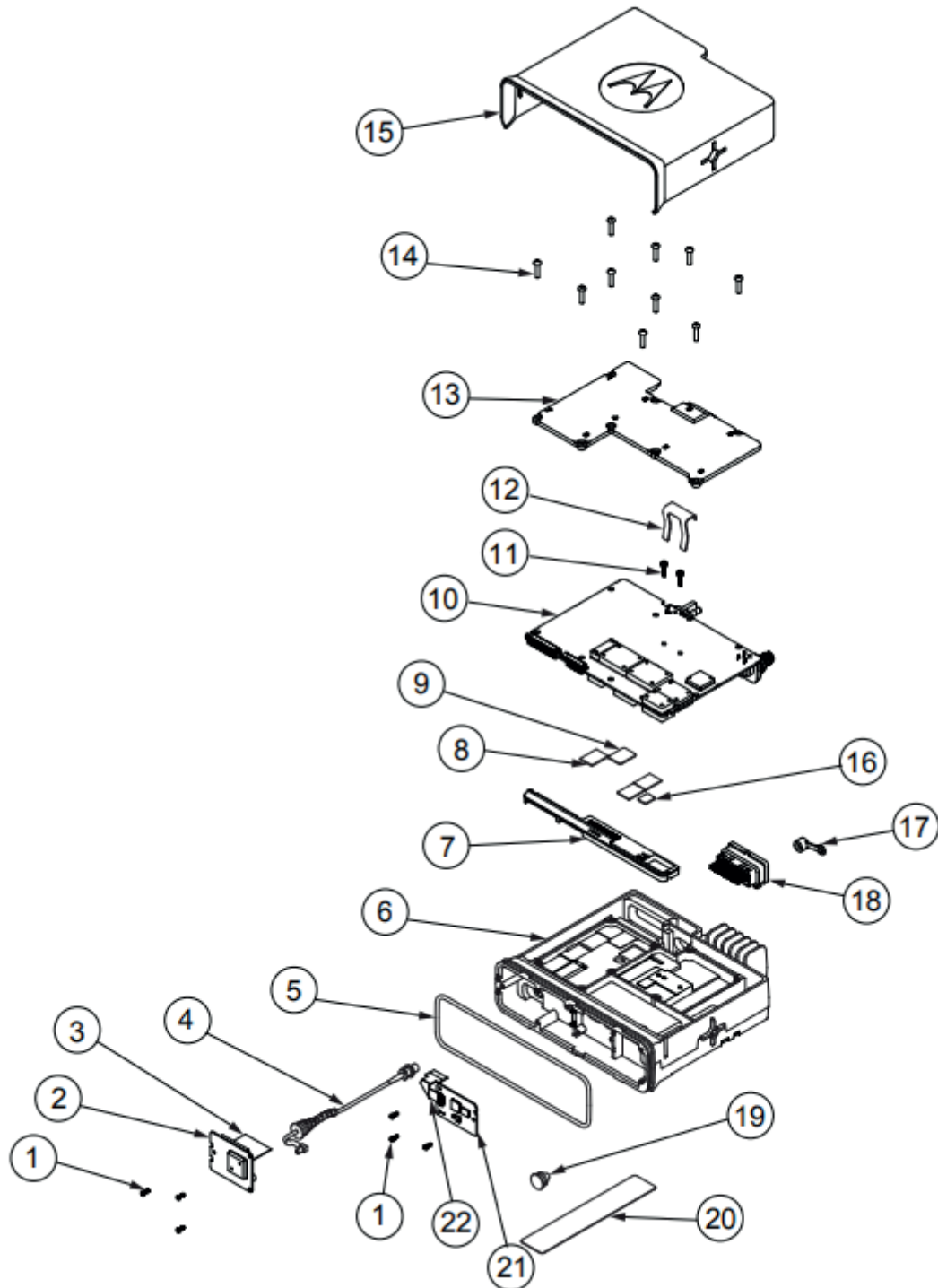


## DM4000/1e Exploded Mechanical View and Parts List



Issue Date: 26/07/21

## DM4000/1e Exploded Mechanical View and Parts List Cont.

Item	Description	Part Number
1	Screw - M2 x 0.4 x 6 mm (Bluetooth/GNSS and/or Option Board Only)	0310909E03
2	Bluetooth/Wi-Fi/GNSS Expansion Board	PMLN7252_S*
3	Flex, Expansion Board (Bluetooth/GNSS Only)	Included in PMLN7252_S
4	GNSS Cable Assembly	Included in PMLN7252_S
5	O-Ring, Control Head	3216200H01
6	Chassis, Die Cast	27009303003
7	Acoustic Plug	32012172001
8	Thermal Pad, Regulator (Quantity: 3)	75012018001
9	Thermal Pad, Audio PA	75012059001
10	PCB, Transceiver	See Model Charts on page 17 to identify proper board.
11	Screw - M2.5 x 0.45 x 12 mm with Washer	03012037001
12	Clip, DC Retention	42009281001
13	Main Shield, Die Cast	26009377001
14	Screw - M3 x 0.5 x 13 mm	0310943J12
15	Main Cover and Gasket Assembly	15012083001
16	Thermal Pad, Final Driver	75012058002
17	GNSS Dust Cap	3216338H01
18	Accessory Connector	42009282001
19	GNSS Plug	32009445001
20	GNSS Nameplate	54012193001
21	Generic Option Board Connect Plus Option Board MPT Option Board	PMLN7324_S** PMLN7395_S** PMLN7394_S**
22	Flex, Option Board	84012231001

**NOTICE:**

**\*Includes:**

- Item No. 1 (Screw - M2 x 0.4 x 6 mm)
- Item No. 2 (Bluetooth/Wi-Fi/GNSS Expansion Board)
- Item No. 3 (Flex, Expansion Board)
- Item No. 4 (GNSS Cable Assembly)
- Item No. 17 (GNSS Dust Cap)
- Item No. 20 (GNSS Nameplate)

**\*\*Includes:**

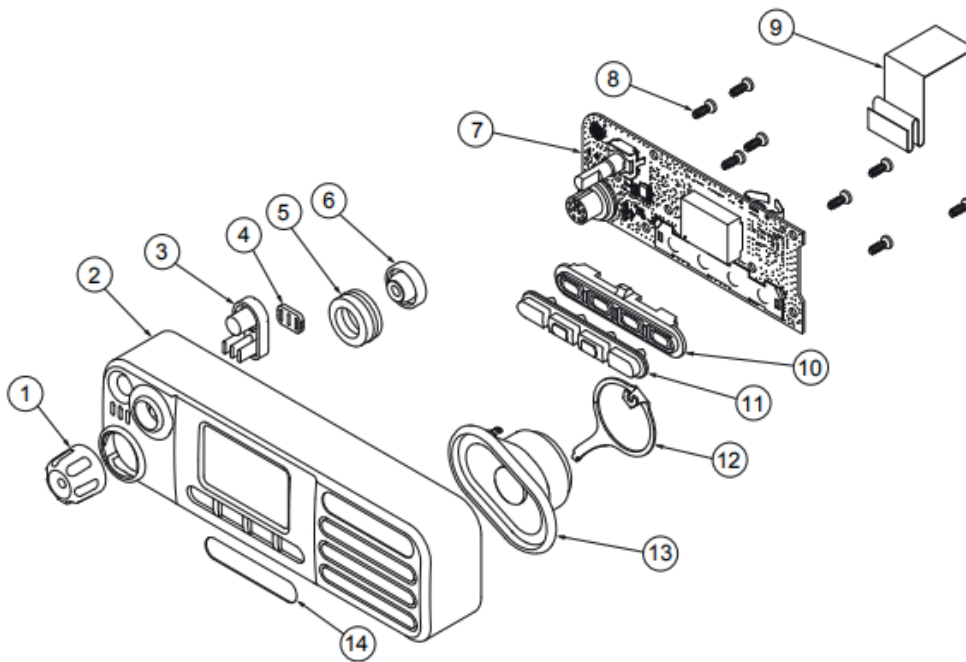
- Item No. 1 (Screw - M2 x 0.4 x 6 mm)
- Item No. 21 (Generic Option Board/Connect Plus Option Board/MPT Option Board)
- Item No. 22 (Flex, Option Board)

Issue Date: 26/07/21

## Control Head Exploded Views and Parts Lists

### Numeric Display Control Head Exploded View

### DM4400e/DM4401e



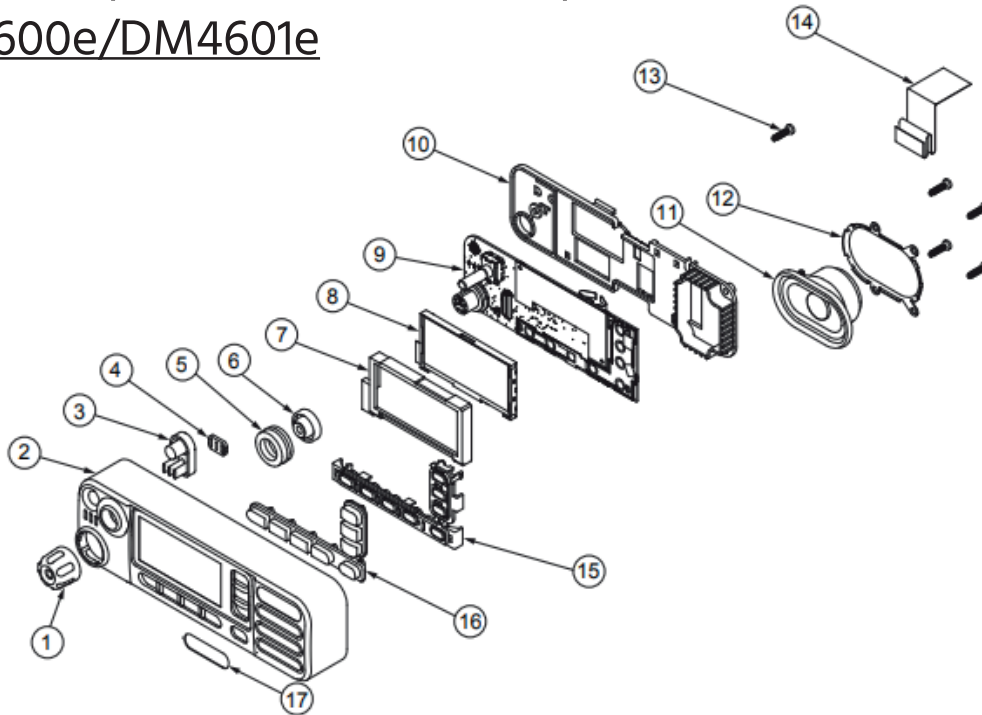
Item	Description	Part Number
1	Volume/Channel Knob Assembly	36012018001
2	Housing Assembly	0104045J48
3	Power Button	38012007001
4	Light Barrier, Power Button	07012020001
5	Mic Jack Seal	3264133H01
6	Volume Encoder Seal	32012140001
7	PCB Assembly	0104056J59
8	Screw - K30 x 1.34 x 8 mm	0371370L01
9	Control Head Flex Cable	PF001884A01
10	Keypad Frame	42012025001
11	Keypad	75012060001
12	Speaker Retainer	42012030001
13	Speaker	5015134H02
14	Nameplate Front Label for DM4400e Nameplate Front Label for DM4401e	33012017023 33012017022

Issue Date: 26/07/21

## Control Head Exploded Views and Parts Lists

### Colour Display Control Head Exploded View

### DM4600e/DM4601e



Item	Description	Part Number
1	Volume/Channel Knob Assembly	36012018001
2	Housing Assembly	0104045J47
3	Power Button	38012007001
4	Light Barrier, Power Button	07012020001
5	Mic Jack Seal	3264133H01
6	Volume Encoder Seal	32012140001
7	Colour Display Pad Gasket	32012094001
8	Colour Display	72012017001
9	PCB Assembly	0104056J39
10	PCB Retainer	42012024001
11	Speaker	5015134H02
12	Speaker Retainer	42012023001
13	Screw - K30 x 1.2 x 12 mm	03012038001
14	Control Head Flex Cable	PF001884A01
15	Keypad Frame	42012026001
16	Keypad	75012061001
17	Nameplate Front Label for DM4600e Nameplate Front Label for DM4601e	33012017025 33012017024

Issue Date: 26/07/21

## Torque Chart

The following table lists the various nuts and screws by part number and description, followed by the torque values in different units of measure. Torque all screws to the recommended value when assembling the radio.

Part Number	Description	Driver/Socket	Torque		
			N-m	Lbs-in	Kg-cm
30012044001	Nut, GNSS Antenna Connector	5/16 in. or 8 mm socket driver	1.74	15	17.3
02012015001	Nut, RF Connector	9/16" deep socket driver	2.15	19	21.9
03012038001	Screw, K30 x 1.2 x 12 mm, Pan Head	T10 Torx	0.88	7.8	9.0
0371370L01	Screw, K30 x 1.34 x 8 mm, Pan Head	T10 Torx	0.88	7.8	9.0
0310909E03	Screw, M2 x 0.4 x 6 mm, Pan Head	T6 Torx	0.28	2.5	2.9
03012037001	Screw, M2.5 x 0.45 x 12 mm, Pan Head	T8 Torx	0.45	4	4.6
0310943J12	Screw, M3 x 0.5 x 13 mm, Pan Head	T10 Torx	1.5	13	15

Issue Date: 26/07/21