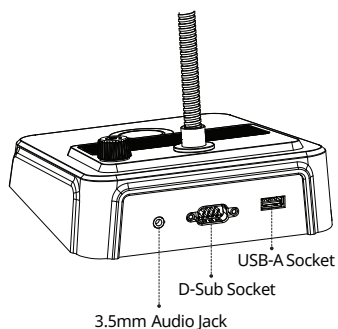
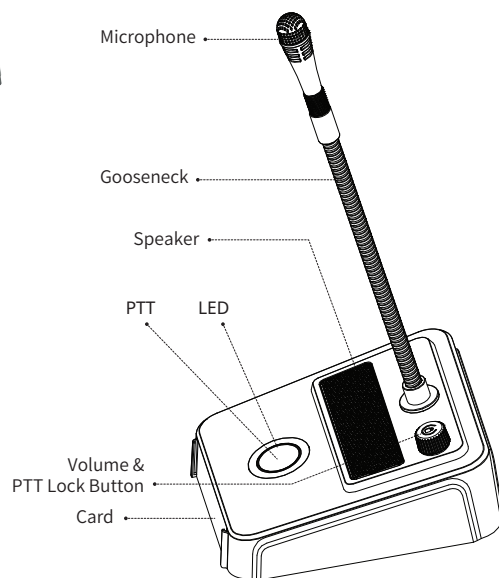


INTRODUCTION

DESK INTERCOM WITH USB INTERFACE XDSM-TW1



Environment

Indoor use only
 Operating temperature: -20°C +60°C
 Operating humidity: ≤93%

System Requirements

- Operating system **Windows 7 or above**
- USB interface **USB1.1 or above**

Before Use

Connect the USB port on the desk intercom to the USB port of your computer. The computer detects the desk intercom automatically. When the desk intercom is connected to the PC for the first time, the device drivers held in the operating system are automatically loaded. The LED indicator then shows a green light.

① The desk intercom is displayed in the Device Manager as:

- **HID Keyboard Device**
- **PDP Audio Device**

The microphone and loudspeaker can be controlled entirely via the audio options in the Control Panel.

- ② The optimum distance for talking into the microphone is 30-50cm. You can reduce pop noise by placing the supplied windshield over the microphone.
- ③ Press the push-to-talk (PTT) button to talk.
- ④ While the PTT button is pressed, the desk intercom's loudspeaker is off and the LED shows a red light.

HID Function

When connected to the computer, the desk intercom log into as a USB HID device to the system, and when the PTT is pressed, the HID signal is used and the resulting signal is evaluated by the PC.

Function	HID-Input Report ID	Usage Description
PTT On	0000450000000000	F12
PTT Off	0000000000000000	N/C

ID Numbers

- VendorID 0x1FC8
- VendorID 0xD260

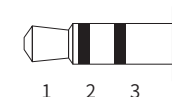
3.5mm Audio Jack

If needed, you can connect a 3.5mm audio connector device for receiving audio.

- **Audio output : mono signal**

PIN NO. Definition

1	SPK+
2	N/C
3	SPK-

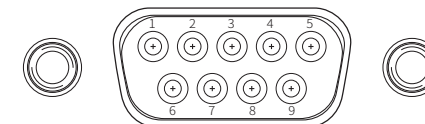


Connect to Foot PTT

If needed, you can connect a foot PTT Device via D-Sub connector in the rear panel.

PIN NO. Definition

1	CLK	6	5V
2	RET	7	*
3	SWDIO	8	*
4	PTT	9	*
5	GND		



Package List

XDSM-TW1 Desk Intercom | USB cable |
 Windshield User manual | Marker pen

Failure Checking

- 1- Check the USB cable connection.
- 2- If you don't hear anything, check the position of the volume control.
- 3- If LED don't work, please connect with computer again or connect with another USB port of the computer.
- 4- If still fail, please contact with your seller.

Conformity

CE Certified

