

Installation Instruction – SW3-870 ODP-[VAR]

SW3-870 - Document Version 1.0

A. Introduction

The ODP offset dipole antenna range provides a lightweight, simple to install and cost effective antenna solution for fixed radio terminals.

The antenna is suitable for external or internal use and is supplied with an integral coaxial cable.



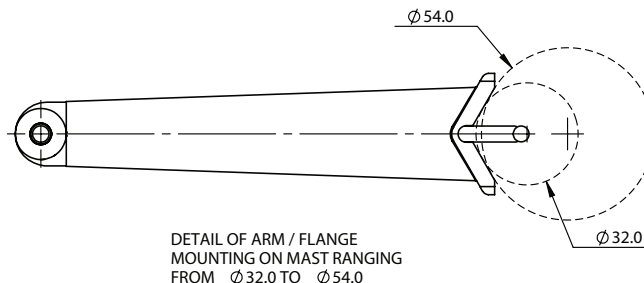
Important Safety Note

This antenna is an electrical conductor and should not be mounted in a location where it or the installer may contact over-head powerlines. For locations vulnerable to lightning fitment of an inline surge arrester should be considered.



B. Mounting requirements and selecting location

The antenna is designed to be fitted either on a flat, vertical surface or a mast with diameter 32mm to 54mm. Wherever possible, the antenna should be fitted where the radiating (top) element is clear of any obstruction. When choosing a mounting location, consider how the shortest cable run to the radio terminal can be achieved, to minimise cable attenuation.



C. Assemble the antenna

Fit the radiating element (whip) to socket marked TOP and tighten securely.
Fit the helical counterpoise element to the lower socket and tighten securely.

D. Fitting the antenna

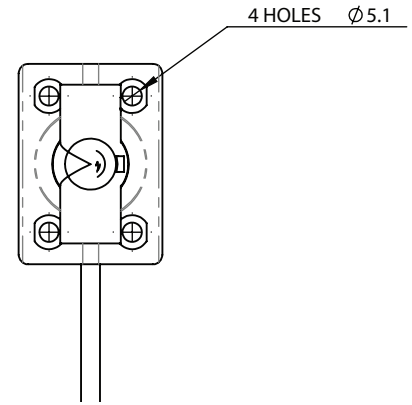
Ensure that the cable exits the back of the arm in the correct direction.

Wall Mounting

Use the end of the dipole arm as a template to mark the mounting holes, ensuring that the antenna will be vertical. Drill holes, and secure the arm to the wall using suitable screws and wall plugs as required. (not supplied).

Mast Mounting

The dipole arm can be secured by self-tapping screws directly into the mast or by heavy duty, UV resistant nylon cable ties.



E. Routing and terminating coaxial cable(s)

Route the cable away from the antenna, securing at regular intervals along the length. Care should be taken to use correct size clips to ensure cable is not compressed. If using cable ties, these should not be overtightened. On entry to a building or enclosure, a “drip loop” should be provided to avoid water ingress by running along the cable.

Fit a suitable connector if not already supplied.

F. Commission and test

Carry out a VSWR test – this should comply with value stated in product data sheet.

Connect antenna to radio terminal and carry out an “on air” check.

G. Notices



European Waste Electronic Equipment Directive 2002/96/EC

Please ensure that your old Waste Electricals and Electronics are recycled do not throw them away into standard waste.



RF Safety Note

This antenna should be mounted in such a way that no person is within 30cm (12”) of the antenna during use.



RoHS 2: EU RoHS compliance is declared per Directive 2011/65/EU and its subsequent amendments. Homogeneous materials composing parts that are compliant with this legislation have less than 0.1% by weight each of lead, mercury, hexavalent chromium, PBB, and PBDE, and 0.01% by weight of cadmium. In situations where an exemption applies, the preceding limits, corresponding to the exempted substance(s), may be higher.