

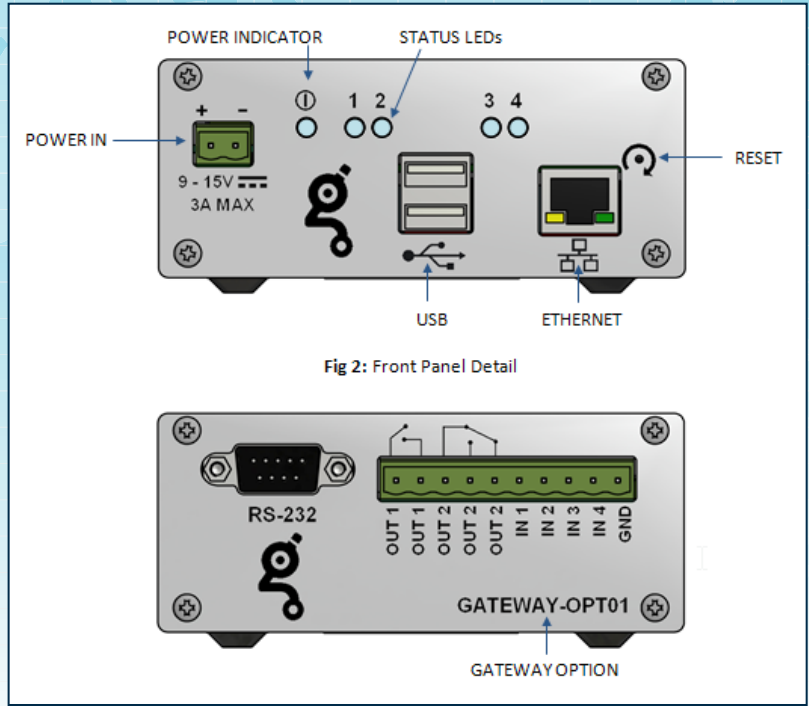
The SMC Gateway is a versatile appliance that enables system integrators to build customer-focused solutions without the need to install PCs and expensive software.

### Power Input:

Minimum volts	9VDC @160mA
Nominal	12VDC @130mA
Maximum volts	15VDC @110mA

### Physical Dimensions

Width	108mm
Length	175mm
Height	45mm



### Key Features:

Each gateway is capable of multiple, simultaneous functions, including but not limited to:

- Text messaging to and from DMR radio systems
- Email using SMTP & POP services
- Radio registration events (ARS/RRS)
- Alert calls
- Telephone interconnection (Hytera DMR only, VoIP / GSM)
- Voltage monitoring via the power input (9-15V DC)
- Third party connectivity via TCP/UDP sockets, HTTP requests/posts, external databases and more
- Internet of Things "IoT" integration

### Additional Options:

With the addition of the option board, the gateway can also provide:

- Serial data (RS232 & TTL level)
- Digital/volt free inputs (x4)
- Relay outputs (x2)
- Direct connection to Hytera MD655 mobile radio (not USB)

Most importantly, the gateway provides you with a powerful flowchart-like tool to create and edit workflows that in turn convert your customers requirements into the perfect working solution.

Radio Systems Supported Include:

